

# TECHNICAL DATA

**VOLTAGES:** 100/120/200/220/230/240V AC, 50Hz or 60Hz

**POWER CONSUMPTION:**

400W @ 220V

**LAMP:**

Type: MSD 250W discharge lamp  
 Colour Temperature: 6700°K  
 Socket: GY9.5 (Single end)  
 Manufacturers Rated Lamp Life: 2000 Hours

**COLOURS:**

9 Dichroic colours plus white

**GOBOS:**

7 interchangeable, rotating gobos with 4 extra spare gobos  
 Gobo diameter: 26.9mm  
 Gobo image diameter: 22mm

**PRISM:**

1 x 3 Facet, Bi-directionally rotating prism

**FOCUS:**

DMX controlled focus

**SHUTTER/STROBE:** Shutter for blackout and strobe 1 – 7 F.P.S.

**HEAD MOVEMENT:** Pan 370° Tilt 265°

**BEAM ANGLE:** 12°

**CONTROL:**

DMX512: 8 Channels plus 2 for Hi Res. Pan and Tilt  
 Stand-Alone Automatic mode and Master/Slave operation

**MOTORS:**

10 Stepper motors

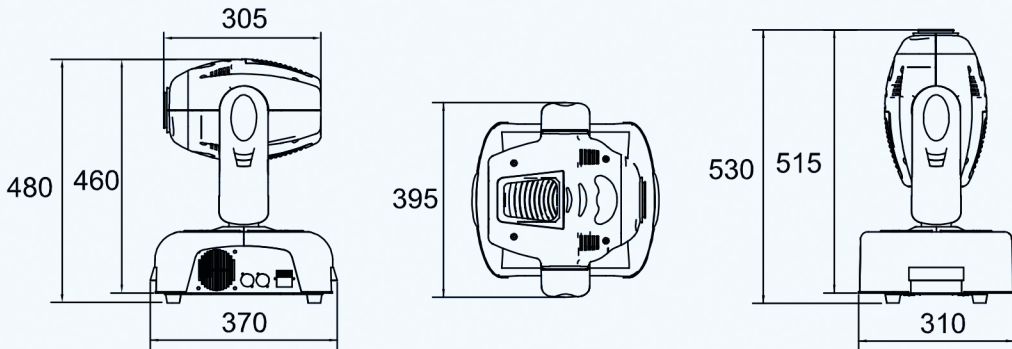
**HOUSING:**

Metal and composite plastic (IP20)

**WEIGHT:**

18Kg

**SIZES:**



**LIGHT OUTPUT:**

